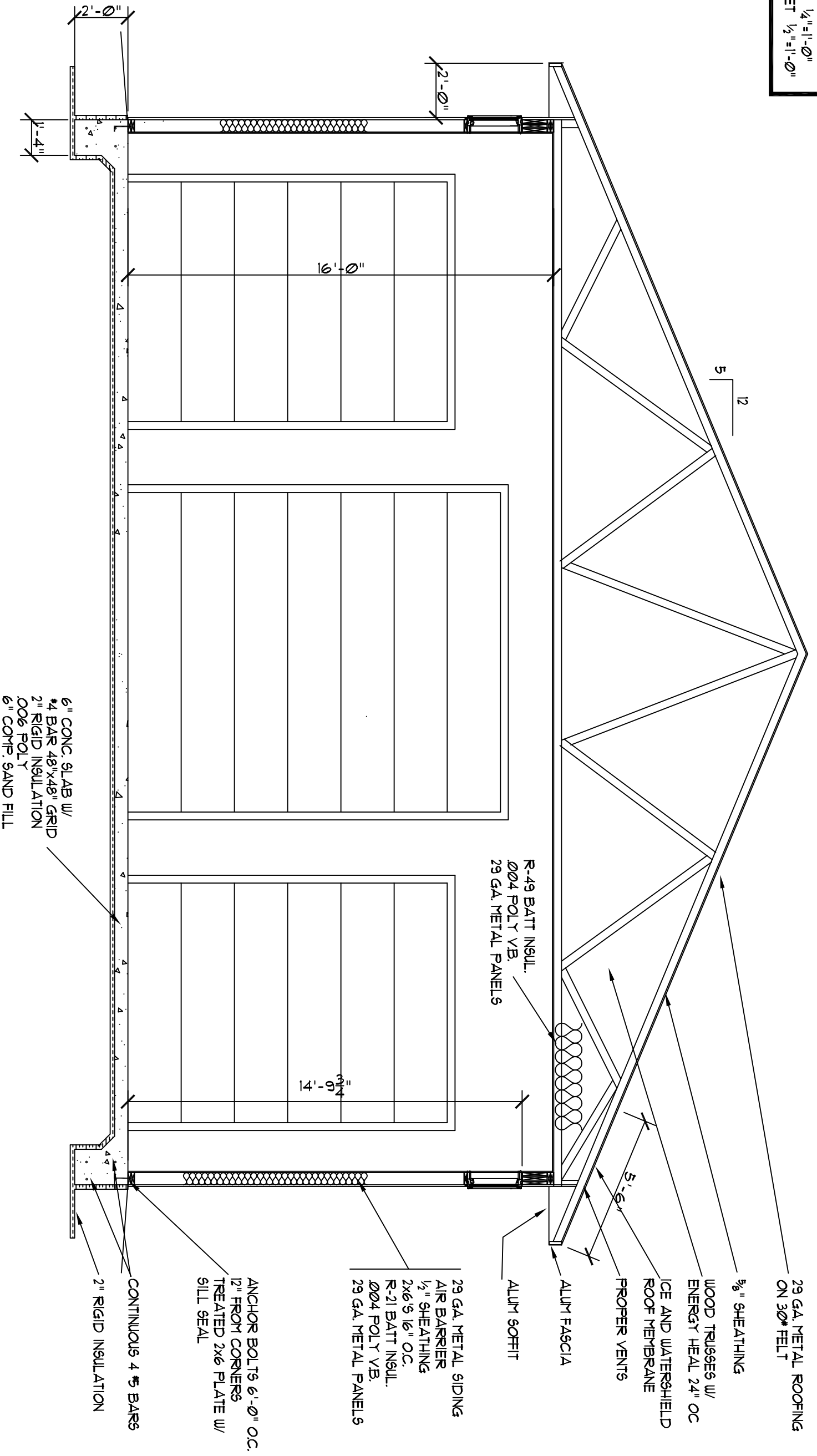


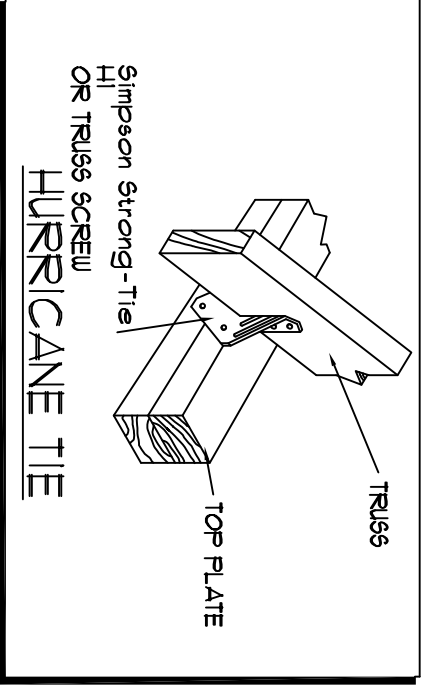
11"x17" SHEET 1/4"=1'-0"  
 24"x36" SHEET 1/2"=1'-0"



6" CONC. SLAB W/  
 #4 BAR 48"x48" GRID  
 2" RIGID INSULATION  
 .006 POLY  
 6" COMP. SAND FILL

**CROSS SECTION**  
 SCALE: 1/4"=1'-0"

**ROOF LOADS**  
 10PSF GROUND SNOW LOAD  
 10PSF TOP CORD DEAD LOAD  
 20PSF BOTTOM CORD LIVE LOAD



29 GA. METAL ROOFING  
 ON 30# FELT

5/8" SHEATHING

WOOD TRUSSES W/  
 ENERGY HEAL 24" OC

ICE AND WATERSHIELD  
 ROOF MEMBRANE

PROPER VENTS

ALUM FASCIA

ALUM SOFFIT

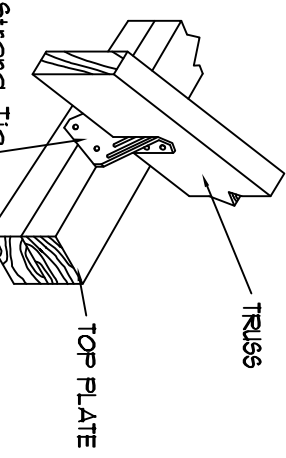
29 GA. METAL SIDING  
 AIR BARRIER  
 1/2" SHEATHING  
 2x6'S 16" OC.

R-21 BATT INSULL.  
 .004 POLY V.B.  
 29 GA. METAL PANELS

ANCHOR BOLTS 6'-0" OC.  
 12" FROM CORNERS  
 TREATED 2x6 PLATE W/  
 SILL SEAL

CONTINUOUS 4 #5 BARS

2" RIGID INSULATION



DRAWING NO.  
 A-4



DENNIS HEWITT  
 231 W. GOGEBIC ST.  
 IRONWOOD, MI. 49938  
 (906) 364-5718  
 e-mail: golferrn12@hotmail.com

**Gogebic County Airport Garage**  
 E5560 Airport Road  
 Ironwood, Michigan 49938

Date: May 16, 2023  
 Drawn By: dch  
 Scale: As Shown  
 Job Number: 2023-05

**CROSS SECTION**